
Horus Eye

— AI System for firefighters in
rescue areas —

Rescue area



Fire



Flood



Accident

Prevent rescue areas

Computer Vision:

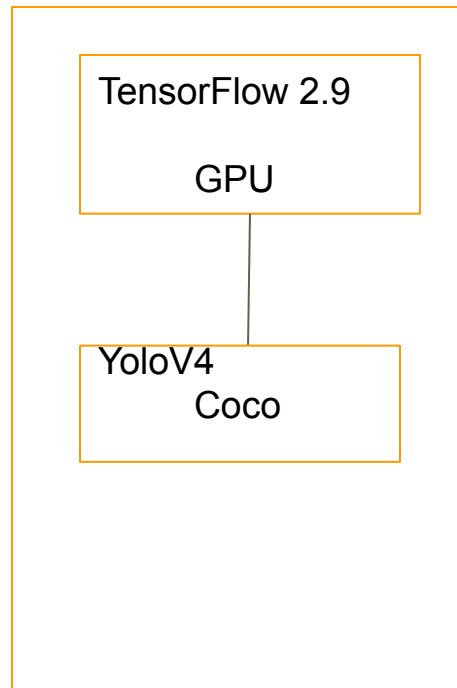
- ❖ Object detection in real-time from image or video
- ❖ Victims detection in real-time from image or video
- ❖ Hostile people detection
- ❖ Facial Sentiment Analysis
- ❖ Age and gender detection

Object detection

Detect in the real time:

- Vehicle or building in fire
- cold steel, weapon or stones
- Collapsed building
- damaged cars

Yolo algorithm with TensorFlow

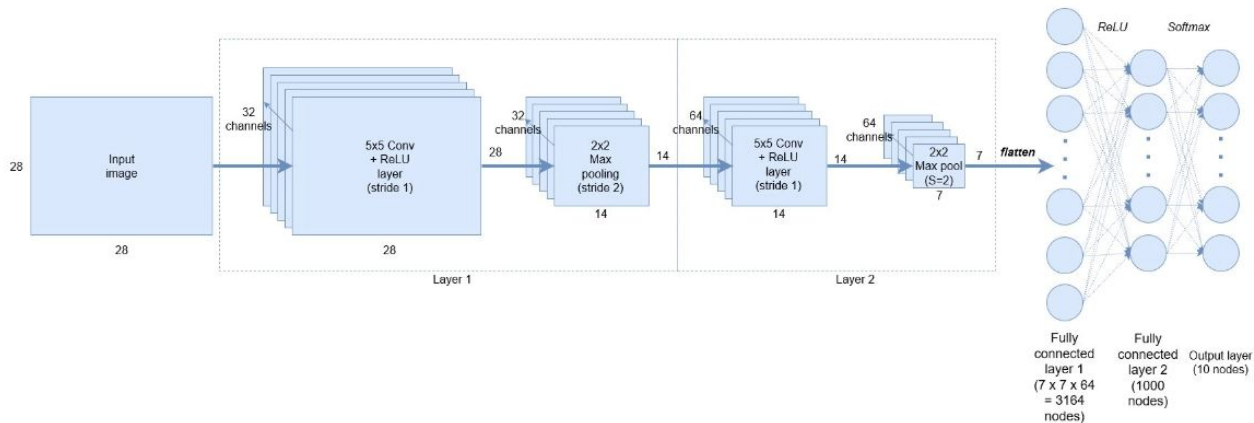


Victims detection

Detect in the real time:

- Facial recognition
- Sentiment analysis
- Age and gender

Deep Learning: TensorFlow 2.9 and Keras API

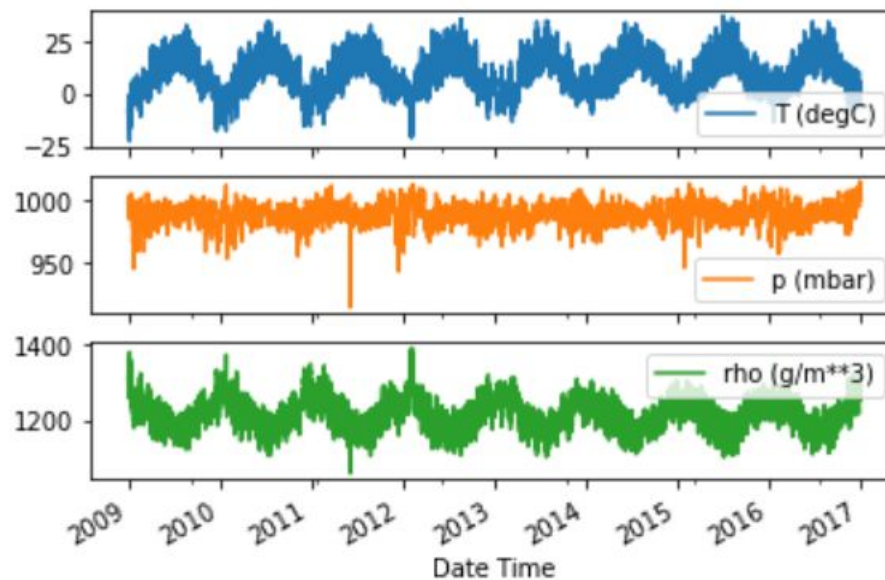


Convolutional neural network that will be built

Prevent rescue areas

Time-series:

- ❖ Predict water increase during the flood



Dashboard Firefighters: Visualizing in real-time the activities operation of firefighters and data collected

